

CP COOPER PEGLER

SPRAYING TECHNOLOGY

PROFESSIONAL SPRAYERS



Made in France
European
Quality

CATALOGUE N°17

COOPER PEGLER, The specialist for professionals



“Cooper Pegler’s mission is to guarantee users disease free crops using reliable, precise and efficient sprayers that they are taught how to use and maintain. It is our goal to continue to produce the most robust, reliable and user-friendly sprayers on the market.”

For over 100 years Cooper Pegler has specialised in the development and manufacture of sprayers for the application of crop protection treatments. In 1995 Cooper Pegler was integrated into the Hardi Group and in 2007 into Exel Industries– the world’s largest manufacturer of crop care equipment. Exel industries’ specialised knowledge in application technology and manufacturing skills together with Cooper Pegler’s century long experience and presence in the world market **is integrated into every product we make today, as well as in the wide range of accessories and spare parts.**



A DROP IN THE RIGHT PLACE:

Crop spraying plays a crucial role in protecting the world’s crops against diseases. To ensure that yield losses are kept as low as possible whilst optimising the use of phytosanitary treatments, it is vital that the delivery of crop protection liquids is efficient, punctual and precise.

DEDICATION AND SPECIALISATION:

Knapsack sprayers have always been the core products of Cooper Pegler. Close liaison with chemical manufacturers and continuous product development to meet the evolving needs of the future ensure that Cooper Pegler continues to set the benchmark for quality around the world for safe, punctual and precise delivery of a liquid from a sprayer tank to its intended destination. We stay committed to maintaining and advancing with **a wider range including Battery powered sprayers, Ultra Low Volume** in order to answer all types of needs. **Our Maxi Pro Compression sprayers have also been improved for greater comfort and safety.**

PRODUCTION & QUALITY:

Ensuring reliability and precision of a high quality sprayer entails tight control over all production conditions. Therefore, all main Cooper Pegler products and components are assembled at our **factory in France by a skilled and quality conscious workforce.**

- ISO version 2015 certification
- Quality check 2000 hours of simulated use and many quality checks per day on each production lot.



COOPER PEGLER BRAND

SERVICE AND SUPPORT:

Cooper Pegler products are robust to provide years of reliable use. Through an efficient service network operated by selected agrochemical manufacturers, distributors and agents, we ensure that replacement components are readily available and promptly despatched to users wherever in the world they may be. The same prompt service also applies to the practical and technical advice we can offer either by phone or via our website **www.cooper-pegler.com**

AN INTERNATIONAL SETTING:

The Cooper Pegler brand is present on the European, African and Latin-American continents, selling 75% of its turnover outside of Great Britain, its native country. In the main zones where agricultural crops are manually maintained, Cooper Pegler sprayers have proved their robust and reliable characteristics, essential when choosing professional equipment.

EDUCATION:

Cooper Pegler's mission is not only to manufacture reliable and efficient sprayers but also to enable users around the world to achieve disease free crops with reliable and efficient sprayers that they are taught how to use and maintain. To realise this aim, we support our products with thorough **field education programmes covering operation, maintenance and safe use**. Because educational requirements can vary considerably from one country to another, and from one application to another, **we tailor all our programmes** to meet the user's precise needs.



Specialists in spraying technology, Cooper Pegler is recognised worldwide for its conceiving and manufacturing of high quality products: for every product in its range the brand commits itself to offer :

- . **Robust and lightweight design**
- . **Wide range of accessories**
- . **Very few wearing parts**
- . **Low cost maintenance**
- . **All parts readily available and easily changed.**



LANCE AND TRIGGER

- Very durable and corrosion resistant
- Polypropylene fibreglass reinforced tube
- Very ergonomic (comfortable for intensive use)
- Radial Viton O-rings for good chemical resistance
- Filter for secondary filtration
- Lock "off" safety function
- Brass piston in the trigger

TABLE OF CONTENTS

CP Servicing / Sale Tools ... p.5	CP 3 Evolution p.11	Accessories p.15
CP 2 p.6	CP Classic Range p.12	- Nozzles
CP 5 / CP 8 p.7	CP 2000 Series Range p.13	- Booms
Diaphragm technology p.8	CP ULV p.14	- Weed killing
Safety Harness p.9		- Lances
CP 15 Evolution p.10		- Kits
		Breakdown drawings p.21
		- CP 5 / CP 8
		- CP15 / CP3 Evolution & Classic
		- CP15 / CP3 serie 2000
		Logistic information p.26



THE ORIGINAL

A stamp "THE ORIGINAL - since 1894" has been created to mark authentic CP products: it now appears on product labels to distinguish against copies.

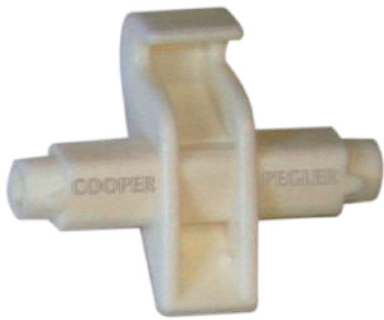


On the new box, you will also find the following text:
«Counterfeit copies are illegal and of poor quality. Care should be taken as these products are not manufactured in accordance with Cooper Pegler's rigorous reliability, build and safety standards.»

ASK FOR THE ORIGINAL SPARE PARTS!

The crank and the diaphragm are key parts for the reliability of any knapsack: if replaced by poor-quality spare parts, the sprayer can under-perform or even be durably and irreversibly damaged. To quickly authenticate these parts, look for the **Cooper Pegler stamp**.

Crank



Diaphragm



A poster is also available to highlight the importance of using original sprayers and parts to the end-user: ref 584166

PACKAGING

The complete CP packaging range has been revised with the aim of giving better product visibility and readability. While remaining consistent with the CP brand image, the new boxes focus more on technical information and end-user benefits in order to emphasize our differences from our competitors.

Front face



Product enhanced with a large size picture, focus on french quality, warranty period and availability of spare parts

Back face



Focused on the authenticity and history of the brand + nozzle description (For improved security, all cardboard boxes are now strapped)



Detailed technical view. Draws attention to the CP complementary range of accessories, with picture illustration

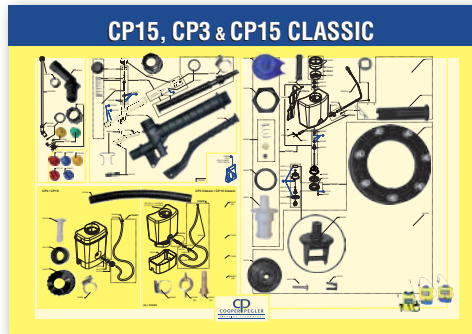
SALES TOOLS

Cooper Pegler provides educational tools to assist end users with their product choice and to maintain their sprayer in good working condition.

SPARE PARTS POSTER:

Perfect for recognizing which spare needs replacing, check its location in the sprayer composition and order it using the correct reference number. The poster dimensions (48 x 68 cm) are convenient for an easy identification of any spare part, either by reference number or picture.

Available for:
 CP 15 /
 CP 3, CP 15 /
 CP 3 serie 2000



CP SERVICE CASE :

For fast and efficient repairs. For each sprayer (CP Evolution, Classic and 2000 series), the service case includes all CP consumables, such as seals, nozzles and all the small parts that can be lost (balls, screws...). Enough to make 150 repairs.



Ref. 283581 :
 CP Serie 2000
 Service Case



Ref.283579 :
 CP Evolution, CP Classic
 Service Case

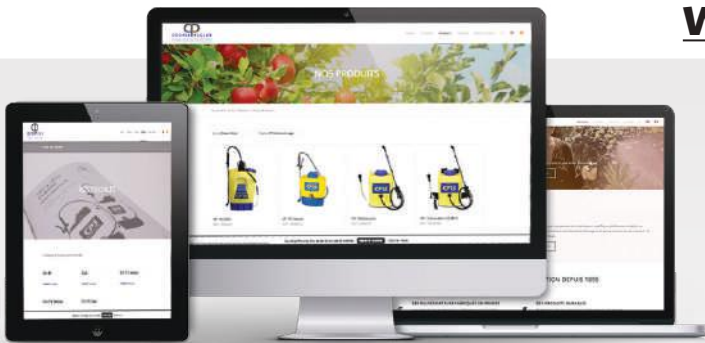
SPRAYER MAINTENANCE AND CALIBRATION :

All sprayers require basic maintenance after each use and also a basic service at least once yearly. For an easy guide to sprayer maintenance please use the National Sprayer Testing Scheme (NSTS) checklist as a guide.

These NSTS forms can be downloaded on our website (<https://www.cooper-pegler.com/en/calibrate>). NSTS service labels can be requested from any of stockists, see the store locator on our website.



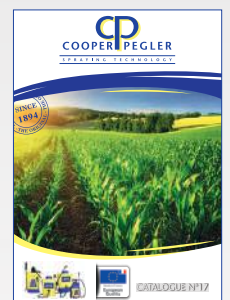
WEBSITE :



Discover our **new website**
www.cooper-pegler.com
 where you can find ...



Products intruction
 manuals



Documentation : pdf
 catalogues, videos, ...



Product data sheets : detailed
 presentation of the products and
 accessories, as well as the advantages
 of the products



Usage tips and video tutorials



Answers to technical
 questions



The spare
 parts catalogue

CP 2

FOR EVERYDAY PROFESSIONAL USE

Handhelds are lightweight, small and primarily designed for spot treatment as professional and durable complementary sprayers.

They come in just as handy for indoor and outdoor plant treatment as for household chores (cleaning, dousing pets with insecticides...).

TOTAL CAPACITY 2 L / USER CAPACITY 1.5 L

Using a compact hand pump to build up air pressure within the bottle to force the liquid out as a continuous stream as long as the trigger button is held down.



	CP 2
Reference	848161
Total capacity of the tank	2 L
Filling limit	1,5 L
Material	PEHD
Dimensions HxW (mm)	300 x 200
Weight (Kg)	0,600
PCB	6



SIMPLICITY AND ACCURACY

Designed to meet the needs of both the home gardener and the horticulturalist requiring professional results, the CP compression sprayers offer you performance and comfort.



Their new robust and ergonomic shape allows the sprayer to be emptied completely (no retention zone) and ensures both efficient pumping (only 20 pump strokes to achieve working pressure) and ease of use.

Its safety valve releases at 3 bars -with only 0.2 bar loss - ideal for all insecticide and fungicide applications.

AVAILABLE IN TWO SIZES: 5 AND 8 LITRES SPRAYING CAPACITY



VERSATILE (FOR GARDENS AND DIY) WITH VITON® ULTRA HIGH RESISTANCE SEALS

Nozzle on multi-nozzle adapter

Color	Volume (L/ha)
Yellow	140
Green	50



Nozzles included: Yellow hollow cone and green anvil



Wide opening for easy filling emptying and cleaning
9 cm

Safety valve with maximum pressure at 3 bar – manual sprayer decompression for secure opening

Comfortable carrying handle

Lance locking facility

High resistance GRP (Glassfibre Reinforced Plastic) lance

Transparent tank with moulded indicator for accuracy

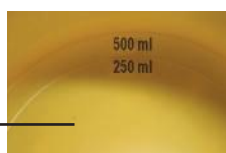
Professional trigger system with integrated filter

Adjustable, non-absorbent shoulder strap

Reinforced hose for greater pressure resistance

Wide base/high stability tank

Internal gauges



	CP 5	CP 8
Reference	846249	846250
Tank litres	7,2 L	11,2 L
Filling limit	5 L	8 L
Material	Polypropilene	
Dimensions HxW (mm)	520 x 210	700 x 210
Weight (Kg)	1,55	2,28
Lance length	370 mm	500 mm
Hose length	1000 mm	

DIAPHRAGM TECHNOLOGY



DURABLE, ACCURATE AND SIMPLY MORE EFFICIENT

Diaphragm pumps have been used for decades, proving to be the most durable, robust and accurate: they are well suited for intensive applications even under very harsh conditions.

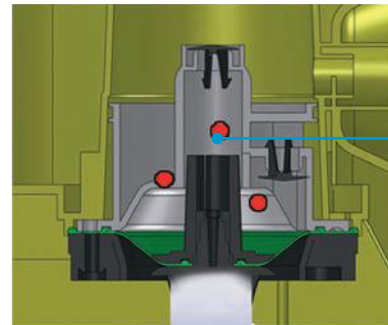
**Diaphragm technology available on these sprayers:
CP EVOLUTION AND CP CLASSIC**

With no direct friction between the diaphragm and the surfaces, pumping is made **easier and more comfortable** compared to a piston pump. Its volume per stroke is also higher. Therefore the CP diaphragm sprayers require no service maintenance nor lubrication other than routine cleaning, resulting in a **long-life product**.

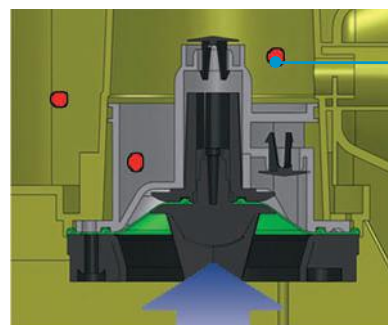
Wear resistant: the unique pump tolerates abrasive particles, like wettable powders and dirty water with no risk of damaging the sprayer.



Thanks to its combined thickness and flexibility (specific technical plastic material: technopolymer), the CP diaphragm is highly hermetic and resistant, ensuring long-life and performance from the sprayer.



Suction stroke



Pressure stroke

Impurities

The diaphragm pump system generates pressure through the deformation of the very flexible diaphragm.



RELIEF VALVE

To avoid overdosing, **the relief valve** limits the pressure to the maximum level (depending on the chosen treatment) and simply sends the excess liquid to the tank. It limits unnecessary effort and protects the sprayer.

2 possible positions depending on the chosen treatment :

- Position H (High Pressure) for insecticide and fungicide treatments
- Position L (Low Pressure) for herbicide treatments

Safety : the spray tank is not pressurized and spraying is controlled from the trigger valve.



A REVOLUTIONARY SYSTEM WITH SHOULDER STRAPS AND WAIST BELT FOR MAXIMUM COMFORT

looks after the user's back to work better and longer

SAFETY HARNESS available on these sprayers:
CP 15 EVOLUTION AND CP 3 EVOLUTION


CLINICALLY TESTED


Hospital Center of Villefranche (FRANCE)

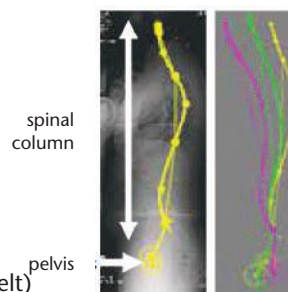
REDUCTION OF NEGATIVE IMPACTS ON THE SPINAL COLUMN AND THE PELVIS

Measurements of the difference between the classic carrying system and an ergonomic carrying system on the subject's back

 X-ray at rest

 X-ray after 20 minutes with sprayer + classic carrying system (thin shoulder straps)

 X-ray after 20 minutes with sprayer + ergonomic carrying system (shoulder straps + waist belt)



SIGNIFICANT REDUCTION IN ARDUOUSNESS CAUSED BY THE SPRAYER



AN OPTIMIZED DESIGN FOR THE SAFETY HARNESS

Adjustable straps with reinforced foam and tensioners

Adjusts to the user's morphology
Protects the user's shoulders

Chest strap

Ensures sprayer stability
Alleviates lateral tension

Adjustable waist strap

Sprayer weight distribution:
70% on the hips / 30% on the shoulders. Ensures sprayer stability

Reinforced back support

No direct contact with the tank for improved comfort



CP 15 EVOLUTION



THIS ITEM HAS EVOLVED TO MAKE IT MORE CONVENIENT TO CARRY

For more than 20 years the CP15 has been the favourite sprayer for users in agriculture, horticulture and parks and gardens all over the world, thanks to its unbeatable durability, toughness and spray quality. The CP15 Evolution can now be equipped with a revolutionary new ergonomic carrying system with ultra-comfortable shoulder straps and waist belt to work better and longer. It is also fitted with two handles on the tank for easy handling. Its unique membrane pump system ensures a long life for the equipment and maximum convenience in spraying thanks to its flexible pumping.

AVAILABLE IN 15 L

Carrying handle

Pressure control valve with fixed settings for spraying herbicides/ insecticides and fungicides



Unique diaphragm pump, very resistant

Adjustable re-inforced lever for left / right hand operation

UV stabilised polypropylene tank for a durable yet lightweight sprayer

All working parts mounted inside the tank to prevent damage

Nozzles included: Yellow hollow cone and green anvil

Color	Volume (L/ha)
Yellow	140
Green	50



Nozzle on multi-nozzle adapter

Wide filler hole to prevent overflow when filling

Low mesh strainer to filter out dirt, Supplementary filter in trigger

High resistance GRP (Glassfibre Reinforced Plastic) lance and trigger

High resistance glassfibre reinforced plastic trigger with filter

Reinforced hose for greater pressure resistance



Standard harness
Support + carrying handle



Safety Harness
Adjustable waist strap and reinforced back, Significant reduction in discomfort



	CP 15 EVOLUTION Standard Harness	CP 15 EVOLUTION CONFORT Safety Harness
Reference by full container	848150	848152
Reference by unit	848257	848258
Tank litres	15 L	
Material	Polypropylene	
Filler neck	140 mm	
Max working pressure	3 bar (45 psi)	
Total weight	3,95 kg	4,25 kg
Harness material	Polyethylene pads with polyester	Polyethylene pads with polyester fibre braiding + reinforced foam
Lance length	500 mm	
Hose length	1360 mm	

CP 3 EVOLUTION



STANDARD OR SAFETY HARNESS

Ideal complement to the CP15 Evolution, the new 20 litre capacity CP 3 provides greater work autonomy.

Its unique diaphragm pump system ensures the longevity of the sprayer as well as an adequate and precise protection for your crops. Its built-in pressure relief valve guarantees precision on the type of application desired.

AVAILABLE IN 20 L

Lid with separate seal and air vent for secure locking

Pressure control valve with fixed settings for spraying herbicides / insecticides and fungicides



High resistance GRP (Glassfibre Reinforced Plastic) lance

Few moving parts of which none are exposed to friction, thus ensuring resistance to dirt in the spray liquid and a very low maintenance level.

Nozzle on multi-nozzle adapter

Nozzles included: Yellow hollow cone and green anvil



Color	Volume (L/ha)
Yellow	140
Green	50

Unique diaphragm pump very resistant towards water impurities

Reinforced hose for greater pressure resistance

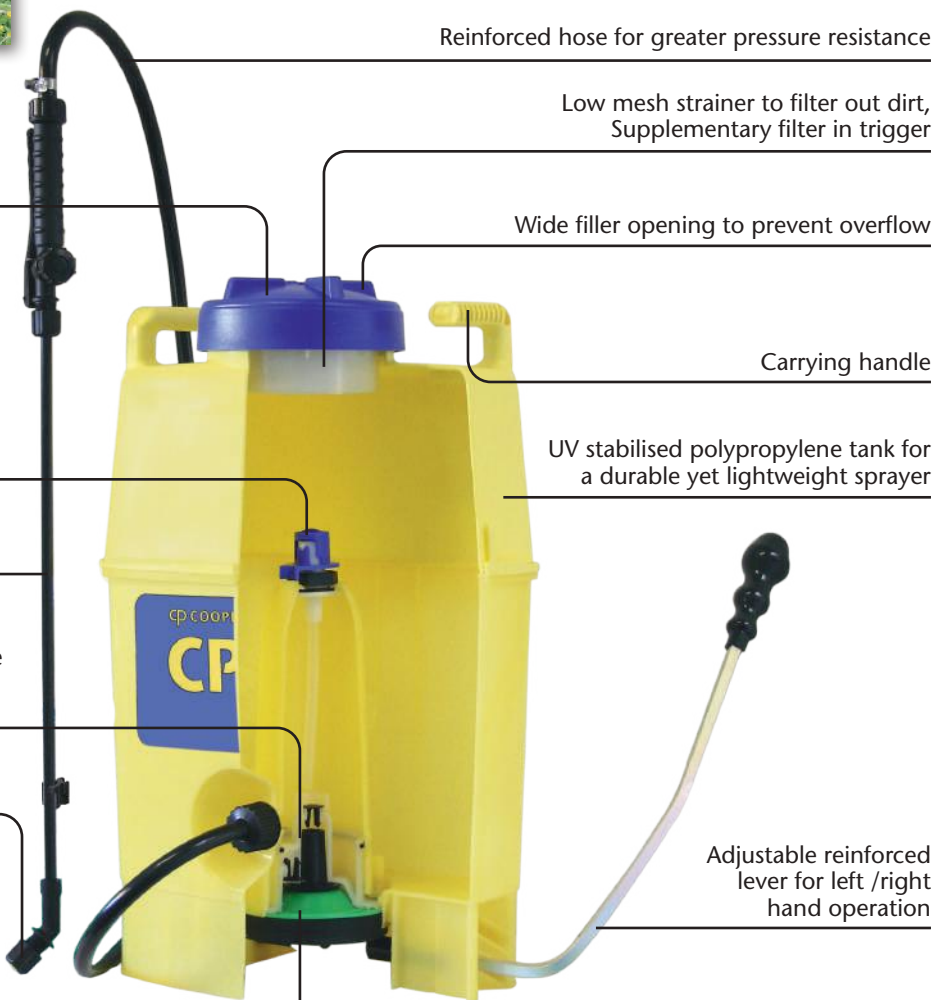
Low mesh strainer to filter out dirt, Supplementary filter in trigger

Wide filler opening to prevent overflow

Carrying handle

UV stabilised polypropylene tank for a durable yet lightweight sprayer

Adjustable reinforced lever for left /right hand operation



Safety Harness

Adjustable waist strap and reinforced back. Significant reduction in discomfort



CP3 EVOLUTION Safety harness

Reference by full container	848252
Reference by unit	848255
Tank litres	20 L
Material	Polypropylene
Filler neck	140 mm
Max working pressure	3 bar (45 psi)
Total weight	4,94 kg
Harness material	Polyethylene pads with polyester fibre braiding + reinforced foam
Lance length	500 mm
Hose length	1360 mm

CP CLASSIC



ROBUST AND ERGONOMIC

For more than 3 decades the CP Classic range has been the preferred choice by agricultural, horticultural and amenity users world-wide, as the most durable, robust and accurate agro-chemical applicator.



Its unique diaphragm pump system and integrated pressure control system ensure many years of tranquility and adequate and accurate protection of your crops. Its ergonomic conception gives greater comfort when performing intensive tasks.

AVAILABLE IN TWO SIZES: 15 AND 20 L

Reinforced hose for greater pressure resistance

Lid with separate seal and air vent for secure locking

Wide filler hole to prevent overflow when filling

UV stabilised polypropylene tank for a durable yet lightweight sprayer

Brass components for excellent durability

All working parts mounted inside the tank to prevent damage

Unique diaphragm pump very resistant towards water impurities

Low mesh strainer to filter out dirt, Supplementary filter in trigger

High resistance GRP (Glassfibre Reinforced Plastic) lance

Pressure control valve with fixed settings for spraying herbicides / insecticides and fungicides



Few moving parts of which none are exposed to friction, thus ensuring resistance to dirt in the spray liquid and a very low maintenance level

Adjustable reinforced lever for left / right hand operation

Ergonomic reinforcement / Parts protected from damage by tank skirt

Nozzle on multi-nozzle adapter
Nozzles included: Yellow hollow cone and green anvil

Color	Volume (L/ha)
Yellow	140
Green	50



Measuring jug included



* depending on model

Straps with support and carrying handle



	CP 15 CLASSIC	CP3 CLASSIC
Reference	846255	846320
Tank litres	15 L	20 L
Material	Polypropylene	
Filler neck	140 mm	
Max working pressure	3 bar (45 psi)	
Total weight	4,75 kg	5 kg
Harness material	Polyethylene pads with polyester fibre braiding	
Lance length	500 mm	
Hose length	1360 mm	



ERGONOMIC AND EFFICIENT

With its unique ergonomic design and build to meet international standards, the 2000 series is the most comfortable, safe and capable piston pump knapsack sprayer (wide pressure range)



The non-corrosive polypropylene tank, with no opening below the liquid level, substantially reduces any chance of user contamination. The sprayer is comprised of few parts and can be quickly dismantled for cleaning and maintenance without the use of tools.

Spraying is controlled from the trigger valve.

AVAILABLE IN TWO SIZES: 15 AND 20 L

Reinforced hose for greater pressure resistance

Pressure regulator integrated

Lance holder for tidy storage

Carry grip for easy handling



Exceptionally strong lance made from composite material for extended life

Nozzle on multi-nozzle adapter

Nozzles included:
Yellow hollow cone
and green anvil



Color	Volume (L/ha)
Yellow	140
Green	50

Parts protected from damage by tank skirt

Easily adjustable shoulder harness with comfortable non absorbent shoulder pads. Belt with snap buckle to prevent lateral movement



Double filter system: high capacity strainer in the lid and fine mesh filter within the trigger assembly to prevent blockages

Wide (14 cm), angled, side opening for quick filling and complete emptying, Cap incorporates one way vent valve to prevent spillage

Transparent, lightweight tank contoured to your back

Piston pump for wide pressure range and very easy to clean and service

Ergonomic, non-slip grip handle
Storage compartment for nozzles



Reversible left / right pump lever, easy to adjust

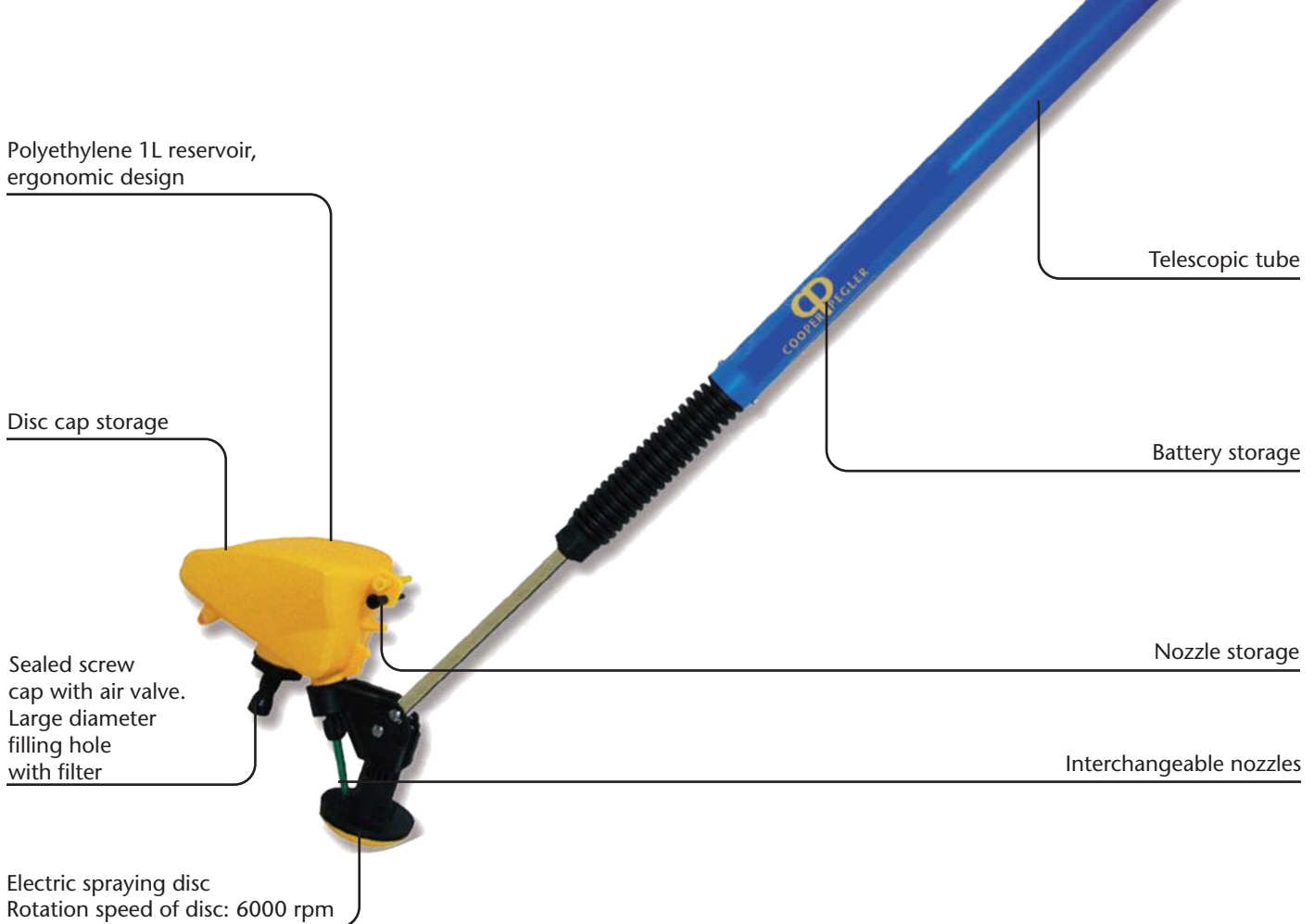
	CP 15 2000	CP3 2000
Reference	846341	846361
Tank litres	15 L	20 L
Material	Polypropylene	
Filler neck	140 mm	
Max working pressure	3 bar (45 psi)	
Total weight	4.75 kg	5 kg
Harness material	Polyethylene pads with polyester fibre braiding	
Lance length	500 mm	
Hose length	1140 mm	

FOR A CONSTANT AND HOMOGENOUS ATOMIZATION

The CP Ultra Low Volume Sprayer is ideal for all treatments requiring a low consumption of water and a large spraying spectrum.

It is convenient for all classic applications of insecticides / herbicides on crops (cotton) or for breeding activities for example animal vaccination or scabies treatment.

According to each specific use, the output can be adjusted (from 25 to 150 ml/mn) thanks to its 4 interchangeable nozzles. (purple, blue, yellow and green)



Availability : Contact us

CP ULV	Reference	848104
	Weight	1,35 kg
	N°units	1600

Characteristics		CP ULV			
Number of batteries		5 batteries, 1,5 volt			
Autonomy		around 8 hours			
Reservoir capacity		1 litre			
Nozzles		Output / hectare at a speed of 3,6km/h for a width of :		Output ml/min	Droplet sizes (µm)
Couleur	Reference	0,80m (minimum)	4,80m (maximum)		
Red	300233	20,8 L/Ha	3,4 L/Ha	100	115
Green	300234	31,2 L/Ha	5,2 L/Ha	150	130
Black	300235	41,6 L/Ha	6,9 L/Ha	200	145

ACCESSORIES



Essential for spraying, accessories give greater precision, comfort and efficiency. Compatible with all the products within the Cooper Pegler range, they can also be used to repair or maintain your equipment and prolong its lifespan.

**SALES POTENTIAL: 20% TO 30%
OF SPRAYING SALES**
=
ADDITIONAL SALES TURNOVER
+
SOURCE OF CUSTOMER LOYALTY

**A WIDE CHOICE OF ACCESSORIES IS AVAILABLE
WITHIN THE CP RANGE FOR:**

- High treatment: lances and telescopic lances
- Weeding: spray shields, regulator
- Good speed and performance: nozzles and calibration
- Wide treatment: booms
- Maintenance: spares kits

MAIN ACCESSORIES: COMPACT AND ATTRACTIVE!

We provide CP customers with presentation tools showing the main accessories (according to stock availability) :

- Capacity: 12 hooks x 6 accessories deep = 72 accessories
- Displayed with a brand banner board (not included)
- To be completed with accessories matching your selection: CP 15 + Classic / CP Classic + 2000

ACCESSORY DISPLAY - Ref. 583637

Dual colour printed banner board

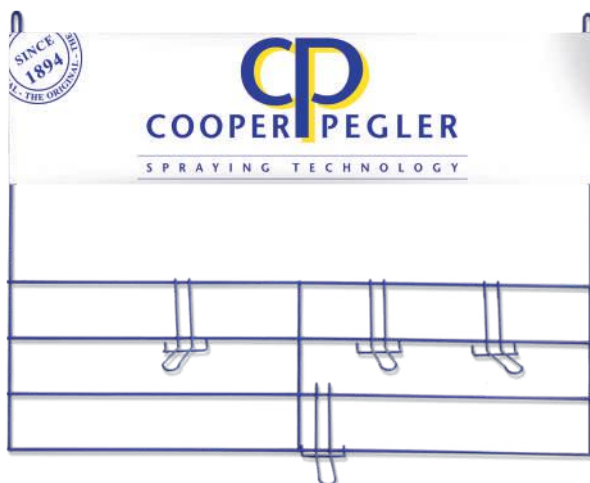
Kits, nozzles...

2 rows of 6 hooks

Lances and booms



Ref. 001CPFRONT14 - Dimensions: 100 x 25 cm
Fastenings not included, to be fixed to a perforated display or directly to the wall



NOZZLES

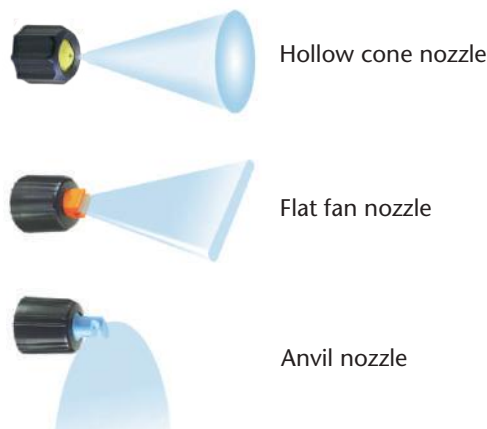
CONTROL AND GUARANTEE THE RIGHT PRODUCT APPLICATION MAKING THE NOZZLE A KEY-PART OF ANY SPRAYER

WHICH NOZZLE TO CHOOSE ?

A nozzle for every spray job: select the right nozzle to optimize product application and limit the effects of possible drift.

Cooper Pegler offers an extensive range of nozzles:

- anvil or flat fan nozzles for herbicides, for applications around 1 bar pressure
- hollow cone for insecticide and fungicide applications, ideally around 3 bar pressure



For each type of nozzle, you will find different opening sizes and angles in order to choose the right output for the recommended rate. These factors influence your **speed of coverage** over the field and your **ability to spray "on time"**; critical issues that will affect the quality of your application and the dose you may have to use.

$$\frac{\text{Flow rate (l/min)} \times 10,000}{\text{Size of treatment area (m)} \times \text{speed (m/min)}} = \text{Volume rate (l/ha)}$$

WHY CALIBRATE?

Calibration consists of defining and checking through a test - on a representative sample surface - that spraying conditions (nozzle height, walking speed) are observed, in order to be more precise and efficient.

Deviation from ideal conditions can result in significant performance differences, and increased product use:

Calibration set at:	Deviation	Flow rate
- Lance 10 cm too low	25%	200 l/ha
- Walking speed too slow	20%	250 l/ha
- Nozzle worn	20%	300 l/ha
- Pressure at 2 bar	20%	360 l/ha
- Total	10%	396 l/ha

x 2

To avoid pressure variations, we recommend the use of a control valve or regulator: integrated in the SERIES 2000, or available as an accessory (see page 19)

HOW TO CALIBRATE?

We recommend calibrating your spraying speed at least once a year.

- 1 - Check that the sprayer operates correctly and safely and the nozzle height to get the required treatment size.
- 2 - Define a surface area test similar to the nozzle coverage.
- 3 - Fill your sprayer with water and spray according to the required conditions (nozzle height and walking speed) on a defined area, for example 100 m².
- 4 -To calculate the volume rate (l/ha), multiply the sprayed quantity (missing from the tank) by 100.

Example: If 3 litres have been sprayed on 100 m², your volume rate is :
3 x 100 = 300 l/ha.

100 m ² = Length x Width	
(m)	(m)
0.5	200
0.7	143
1.0	100
1.2	83
1.5	67



For a quick and reliable reading of the quantity sprayed on the test, use the KALIBOTTLE to calibrate your sprayer. (see calibration table)

Ref 390638

L/ha	L/100 m ²	L/1000 sq ft	US gal / 1000 sq ft	Kalibottle L	Tank capacity / coverage in m ²			
					20 L	15 L	8 L	5 L
350	3.50	3.25	0.86	0.88	571	429	229	143
325	3.25	3.02	0.80	0.81	615	462	246	154
300	3.00	2.79	0.74	0.75	667	500	267	167
275	2.75	2.55	0.67	0.69	727	545	291	182
250	2.50	2.32	0.61	0.63	800	600	320	200
225	2.25	2.09	0.55	0.56	889	667	356	222
200	2.00	1.86	0.49	0.50	1000	750	400	250
175	1.75	1.63	0.43	0.44	1143	857	457	286
150	1.50	1.39	0.37	0.38	1333	1000	533	333
125	1.25	1.16	0.31	0.31	1600	1200	640	400
100	1.00	0.93	0.25	0.25	2000	1500	800	500
75	0.75	0.70	0.18	0.19	2667	2000	1067	667
50	0.50	0.46	0.12	0.13	4000	3000	1600	1000

NOZZLES

CHOOSING THE RIGHT NOZZLE ENSURES THE RIGHT COVERAGE AND FLOWRATE. EXAMPLES OF WIDTH AND VOLUME TREATMENT RATE USING ANVIL NOZZLES

Ref. no. 372020 - 0.6 l/min @ 1 bar



Ref. no. 372021 - 1.2 l/min @ 1 bar



Ref. no. 372022 - 1.8 l/min @ 1 bar



Ref. no. 372023 - 2.4 l/min @ 1 bar



BV 30 NOZZLE





Ref : 455688
Angle: 130°

The low volume nozzle rate (30 L/ha), it enables an optimal absorption and fixation of active substances and reduces the dose : the fine droplets ensure a very good coverage.

- **Phytosanitary product saving (from - 30 to 50% depending on the crop)**
- **Reducing water consumption: better autonomy and reduced downtime.**

Made of brass, it has a high mechanical resistance

CONDITIONS : SPEED: 1 M/S NOZZLE HEIGHT: 50 CM

	Colour	Ref.	Output L/min.	Width cm	Volume L / ha	Time for 15 L min: sec
 Anvil nozzle	Deflector nozzles (for herbicide at 1 bar)					
	Orange	371847	0,24	110	35	62 : 30
	Green	371848	0,40	144	50	37 : 30
	Blue	371850	0,68	160	70	22 : 03
 Hollow cone nozzle	Anvil nozzles (for herbicide, very low volume at 1 bar)					
	Yellow	372020	0,6	50	200	25 : 00
	Green	372021	1,2	100	200	12 : 30
	Blue	372022	1,8	150	200	8 : 20
	Red	372023	2,4	200	200	6 : 15
 Flat Fan nozzle	Hollow cone nozzles (for insecticide and fungicide treatments at 3 bar)					
	Yellow	371694	0,8	95	140	18 : 45
	Red	371682	1,4	120	195	10 : 42
	Brown	371695	1,8	130	230	8 : 20
	Grey	371696	2,4	140	290	6 : 15
 Adjustable nozzle	Flat fan 80° nozzles (3 bar)					
	Red	371859	1,6	80	333	6 : 15
Flat fan tapered 110° nozzles (1 bar)						
	Orange	371706	0,4	140	133	18 : 45
	Yellow	371708	0,8	140	267	18 : 45
	Blue	371709	1,2	140	400	12 : 30
	Red	371710	1,6	140	533	6 : 15

Adjustable nozzle:
to vary from a straight jet
to a mist spray through
changing the angle and
treatment area
Réf. 371864

Bar	Mist jet output l/min	Straight jet output l/min	Angle
1,5	0,69	1,25	80°
2,0	0,71	1,40	85°
3,0	0,88	1,65	90°
4,0	0,95	1,85	90°
5,0	1,10	2,18	95°

Check the flowrate of each nozzle each year: it must be homogenous.
If it differs by more than 10 % from the theoretical flowrate at a precise pressure level,
the nozzle has to be changed.

BOOMS



THE INDISPENSABLE ACCESSORY FOR WIDE SPRAYING

To pass from a mono-jet to a multi-jet spray, booms are designed to increase capacity and coverage width. They are particularly good for large surfaces and herbicide spraying



Lightweight booms ideal for spraying larger areas. 2, 3 and 4 nozzle booms equipped with ISO F-02-110 flat fan nozzles spaced to every 50 cm, ideal for double overlap.

Output per nozzle at 2 bar is 0.65 l/min
Nozzle angle: 110°

HOW TO GET A GOOD DISTRIBUTION FROM YOUR BOOM?

To ensure a perfect and homogeneous flow rate from the boom, we recommend working with double overlap : this will depend on the boom distance (height) from the target.



Composite 4 nozzle boom
Ref. 755605

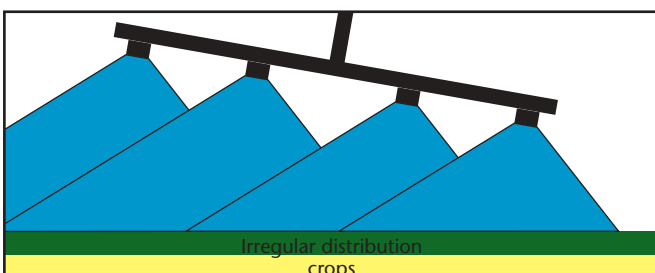


Composite 3 nozzle boom
Ref. 755603

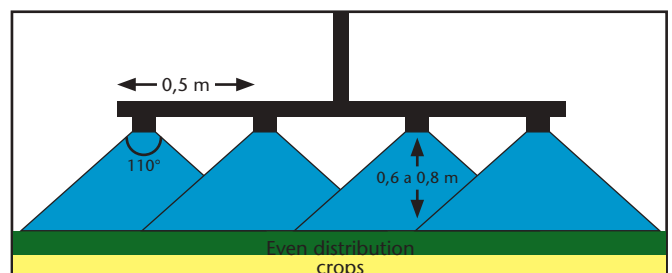


Composite 2 nozzle boom
Ref. 755604

Boom height wrongly adjusted



Boom height correctly adjusted



SPRAY SHIELDS AND PRESSURE CONTROL



SPRAYERS ARE MOSTLY USED FOR WEED KILLING

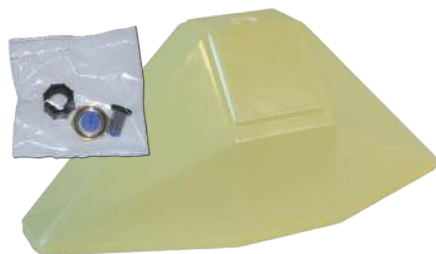
To optimise herbicide applications, 2 critical factors must be met:

- localisation of the zone to avoid product migration onto the neighbouring plants
- adequate droplet size to reach the plants to be destroyed, thanks to a continuous pressure of around 1 bar.

SPRAY SHIELDS: PROTECTING PLANTS

To spray a localised zone and avoid spray drift, two types are available:

- a compact round shield (18 cm diameter) to select a localised zone, next to plants and flowers
- a wide shield (38 cm) for spraying inter-row or along a path (vineyard, plantations...) safely and efficiently



Wide for composite lance with ISO F-03-110 blue flat fan nozzle - Ref. 741647



Round for composite lance with HC yellow hollow cone nozzle Ref. 741721

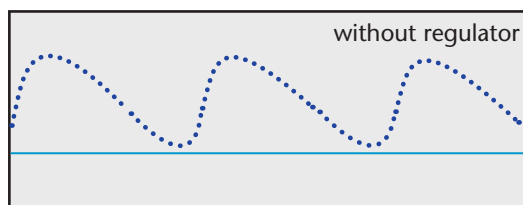
PRESSURE REGULATOR :

Guarantees a constant optimal pressure for weeding (at 1 bar) by activating the sprayer once the pressure has been achieved and limits the increase in pressure following extra effort on the lever.

An anti-drop system is also incorporated which instantly stops the flow of liquid when the pressure drops below the target value. Universal use, it adapts to all knapsack and compression sprayers (from 5L) within the Cooper Pegler range.

The essential accessory for applying the correct dose and thus achieving substantial product savings without effort.

Pressure

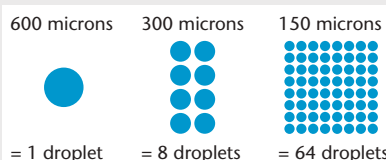


Time

Pressure output with regulator

The droplet size is critical when choosing a nozzle as the efficiency of the phytosanitary product will depend on it.

To get a good coverage, there needs to be enough droplets to be effective, to reach their target and then settle there. 1 bar pressure gives optimum droplet size (between 200 and 300 microns) to limit drift and prevent runoff and thus reduce product waste. Pressure stability also affects the distribution of the mixture onto the soil.



For droplets half the size, you get twice as many drops ... for the same amount of water



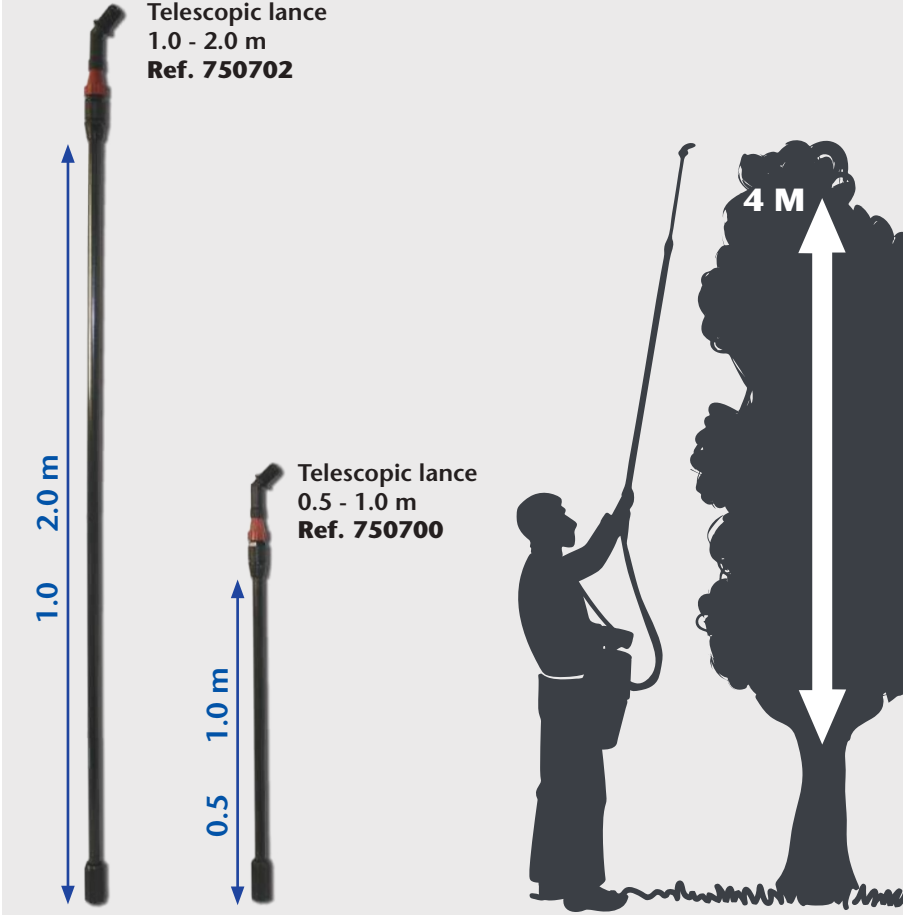
Pressure regulator 1 bar Ref. 755837

LANCES

FOR HIGH TREATMENTS AVAILABLE FROM 0.5 M TO 2.0 M

TELESCOPIC LANCES:

More compact extensions for distant targets, they can be adjusted to the desired length for a perfect application.



LANCES:

extension of the hand and arm, ideal for remote targets such as tall fruit trees.



Nozzles not included

NOZZLES KITS - SERVICE PACK KITS

To maintain your sprayer in the long run a full range of CP pre-packed spare parts are available to ease reliable maintenance and reduce down time to a minimum.

NOZZLES:



Nozzles kit: 4 flat fan tapered 110° nozzles
Ref. 750285



Nozzles kit: 3 flat fan 80° nozzles
Ref. 750286



Nozzles kit: 3 standard nozzles (hollow cone, flat fan and anvil jet)
Ref. 750305



Nozzles kit: 4 anvil nozzles
Ref. 750306



Double swivel nozzle
Ref. 755823

KALIBOTTLE:



Ref. 390638

For a quick and reliable reading of the quantity sprayed on the calibration test, use the KALIBOTTLE to calibrate your sprayer. (see calibration table p.16)

MAINTENANCE KIT:



CP Plast trigger
Ref. 755826



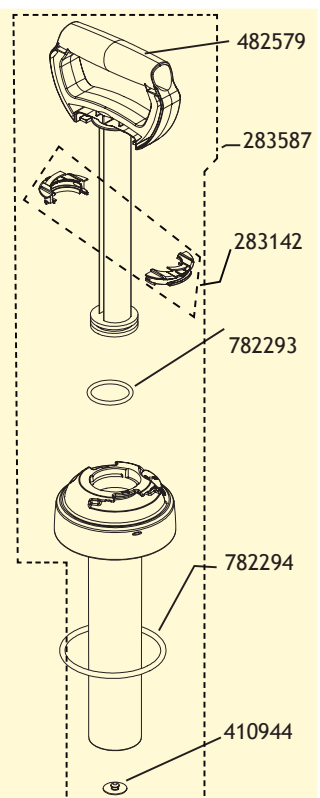
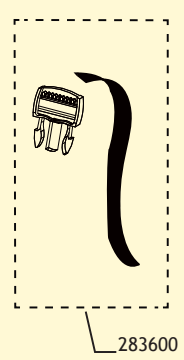
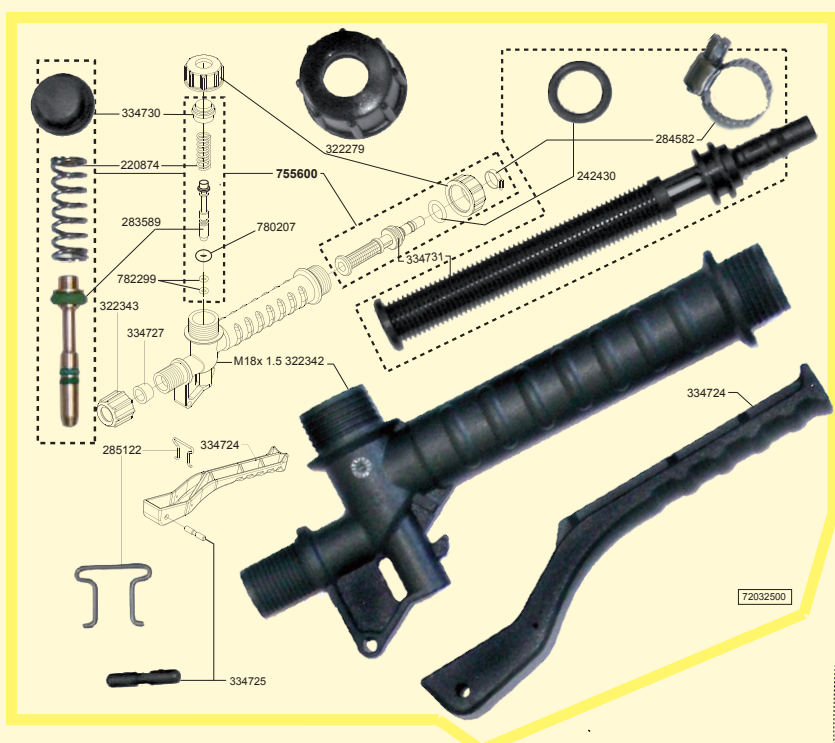
CP Service pack
CP Classic,
CP Evolution
Ref. 750405



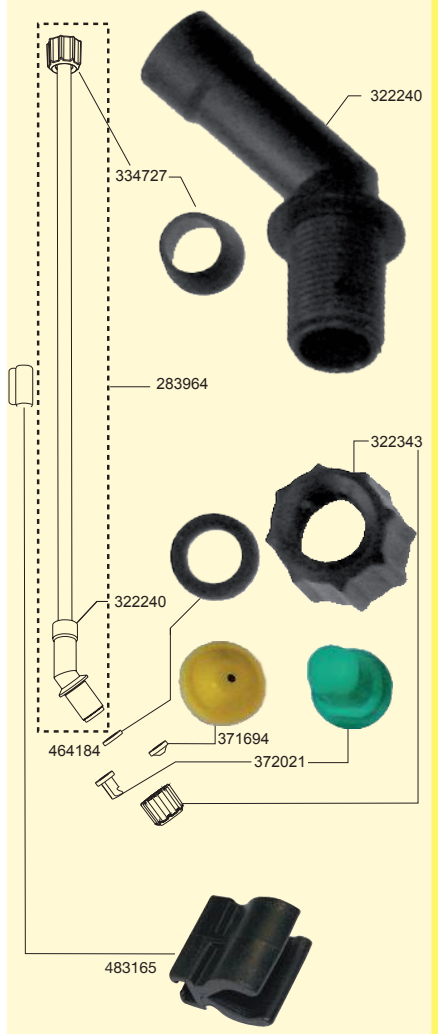
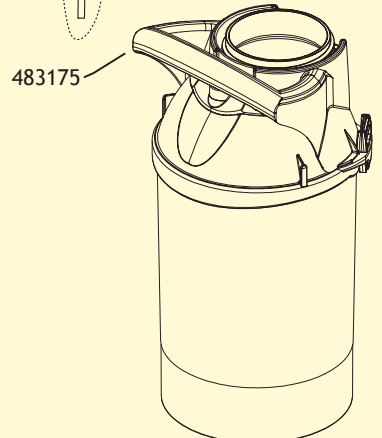
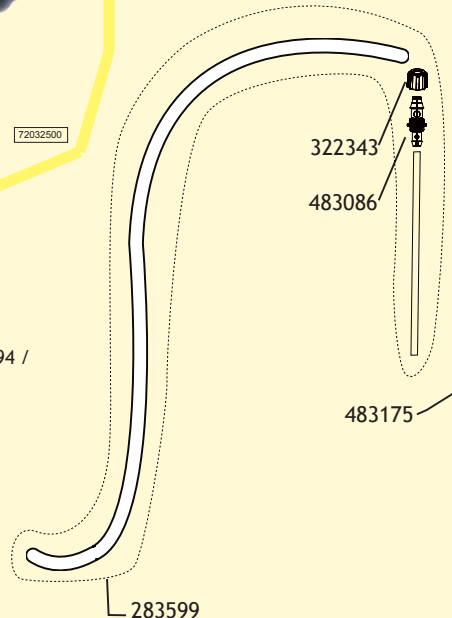
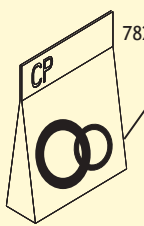
CP Service pack,
CP Maxi Pro
after 2010
Ref. 283746



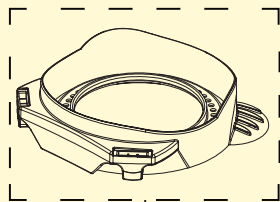
CP Service pack
2000 series
Ref. 750308



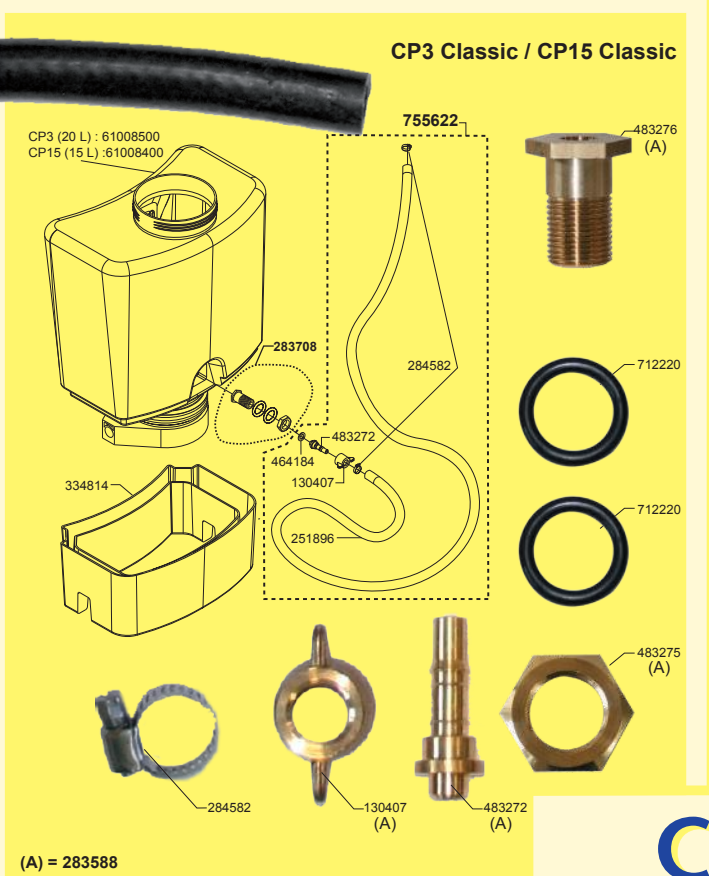
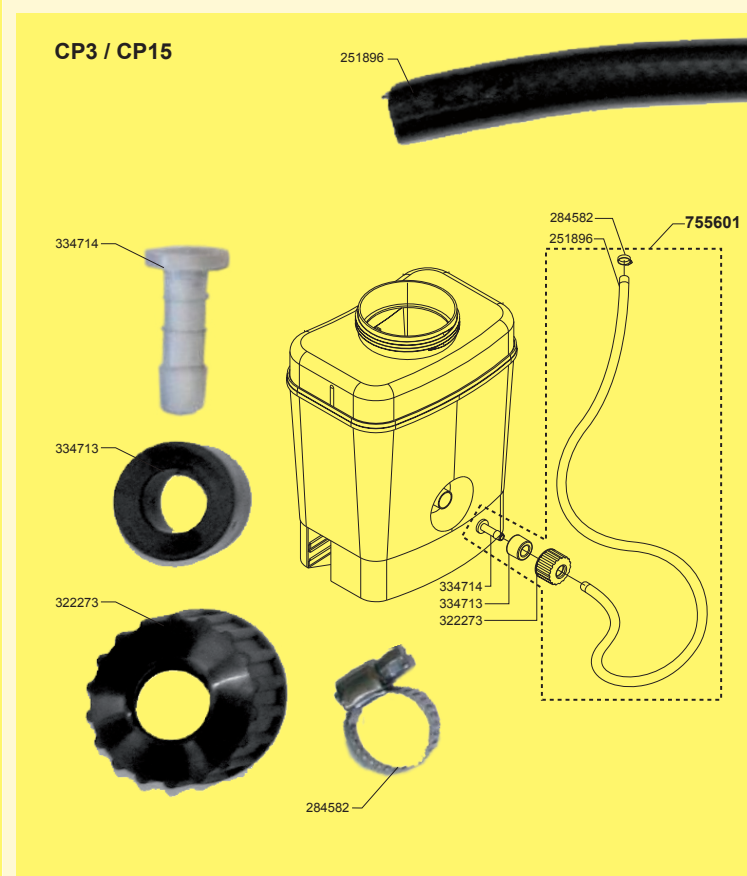
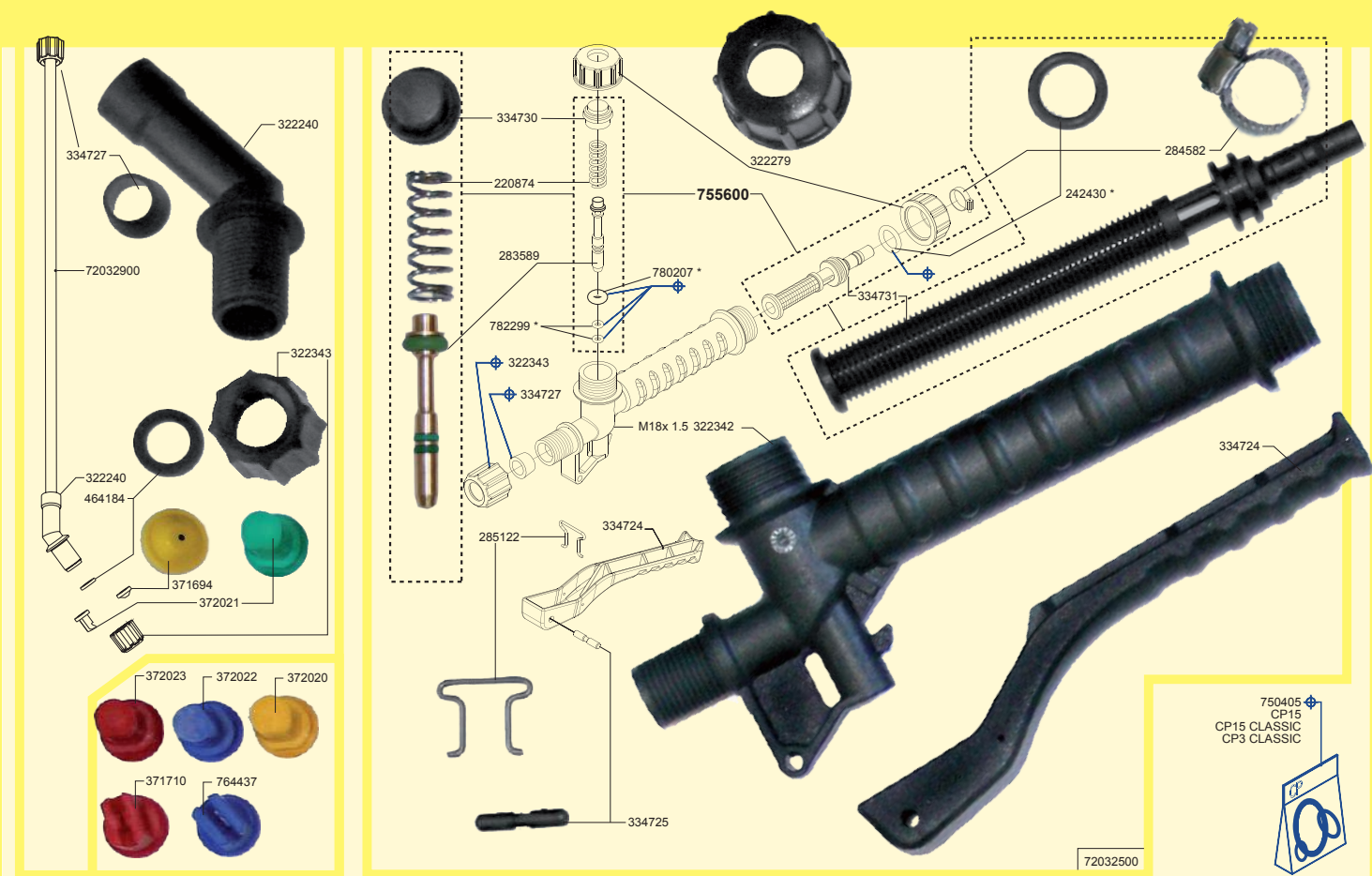
283746
Contains :
782293 / 782294 /
410944



REF	FRANÇAIS	ENGLISH	ESPAÑOL
147351	ECROU CONIQLAIT.M18x1.5 *	UNION BRASS SHL	TUERCA CONICA LATON M18 X 1.5
482900	ENS.FERMETURE POMPE LASER *	PISTON CLIP	CONJUNTO CIERRE DE BOMBA LASER
283873	SE POMPE CP5 / CP8 *	CP5/CP8 PUMP SUB ASSY	CONJUNTO BOMBA CP 5/CP 8
283589	SE POINT.LAITON POIG. CP15 *	HANDLE PISTON SUB ASSY	PISTON DE EMPUNADURA DE LATON
283599	TUYAUT.COMPLÈTE CP5/CP8 *	COMPLETE HOSE MAXIPRO	TUBERIA COMPLETA CP5/CP8
283600	BRETELLE CP 5 / CP 8 *	CP5/CP8 STRAP	TIRANTE CP5/CP8
284970	TUBE FDV D106x1900 *	GLASSFIBRE TUBE D106x1900	TUBO FIBRA DE VIDRIO D10 X 6 X 1900
284971	TUBE FDV D106x2000 *	GLASSFIBRE TUBE D106x2000	TUBO FIBRA DE VIDRIO D10 X 6 X 2000
284972	TUBE FDV D106x490 *	GLASSFIBRE TUBE D106x490	TUBO FIBRA DE VIDRIO D10 X 6 X 490
285122	AGRAFE DE POIGNEE *	WIRE CLIP	GANCHO DE EMPUNADURA
322400	PORTE BUSE COUDE HARDI *	LANCE ELBOW	PORTA BOQUILLA CODADA
322277	RACCORD DE LANCE M18 x 1,5 *	LANCE END STRAIGHT	RACOR DE LANZA M18 X 1,5
322279	ECROU DE POIGNEE *	CAP TRIGGER VAL	TUERCA DE EMPUNADURA
322342	CORPS DE POIGNEE M18 *	TRIGGER BODY	CUERPO DE EMPUNADURA M18
322343	ECROU M18x150 HARDI *	NOZZLE CAP M18	TUERCA M18 X 150
334724	LEVIER DE POIGNEE BP 15/20 *	TRIGGER RELEASE HANDLE	PALANCA DE EMPUNADURA BP15/20
334727	BUTEE CONIQUE TUBE FDV D10 *	GROMMET	TUERCA CONICA TUBO FDV D10
410944	CLAPET POMPE VITON GRIS *	PUMP VALVE VITON GREY	VALVULA VITON DE BOMBA GRIS
464184	JOINT PLAT 16x9x2 NBR *	BACKING WASHER 16x9x2	JUNTA LLANA 16 X 9 X NBR
482579	TIGE POMPE FLORALY TOR. NOIRE	FLORALY PUMP ROD - BLACK	VARILLA DE BOMBA FLORALY NEGRO
483174	EMBASE RES.INJECTE BLEUE *	TANK BASE BLUE	BASE TANQUE AZUL
483175	COQUE TETE PULSAR INJBLEU *	CASING SHELL	CASCO CABEZA PULSAR AZUL
730440	ALLONGE DE LANCE 1M M18	EXTENSION 1M	ALARGADERA DE LANZA 1M M18
730441	TUBE DE LANCE BP 15/20 1M	LANCE WITH ELBOW 1M	TUBO DE LANZA 15/20 1M
730442	LANCE 2M M18 PROLONGATEUR	LANCE WITH ELBOW 2M	EXTENSION DE LANZA 2M M18
283746	PIECES RECHANGE	SERVICE PACK	PIEZAS DE REPUESTO
755600	KIT POIGNEE DE LANCE CP *	TRIGGER VALVE PACK	KIT EMPUNADURA DE LANZA
782293	JOINT R26 FPM 70SH VERT *	PISTON SEAL FPM 70SH GREEN	JUNTA DE PISTON FPM 70SH VERDE
782294	JOINT TOR 89x5 FPM 70 SH V *	O-RING 89x5 FPM 70 SH V	JUNTA 89 X 5 FPM 70 SH V
72032500	POIGNEE DE LANCE AGRAFE *	LANCE HANDLE	GANCHO DE EMPUNADURA DE LANZA
283964	SE TUBE LANCE FDV 500MM	LANCE WITH ELBOW 0.5M	TUBO DE LANZA FDV 500 MM



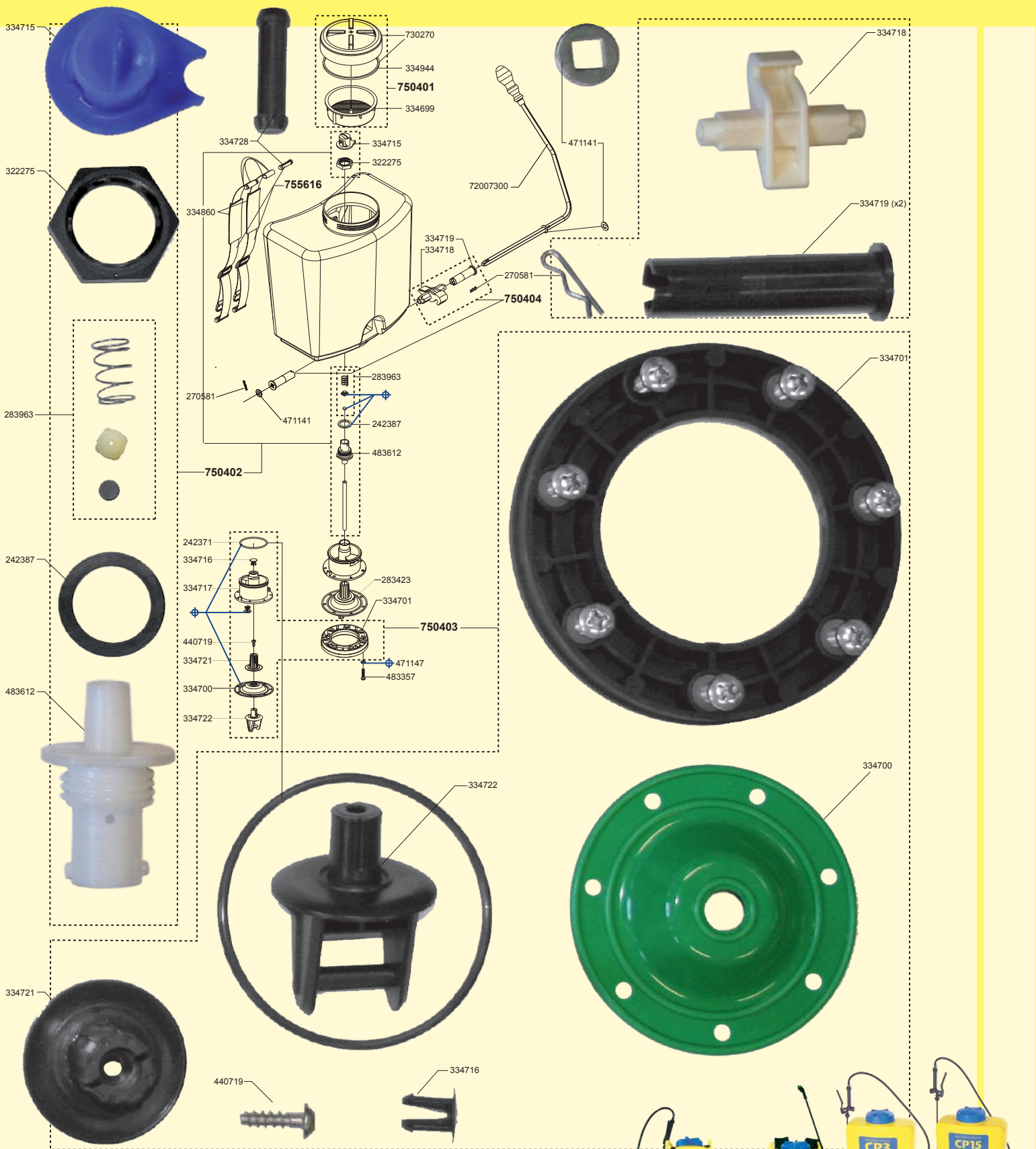
CP15 & CP3 EVOLUTION

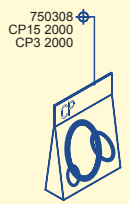
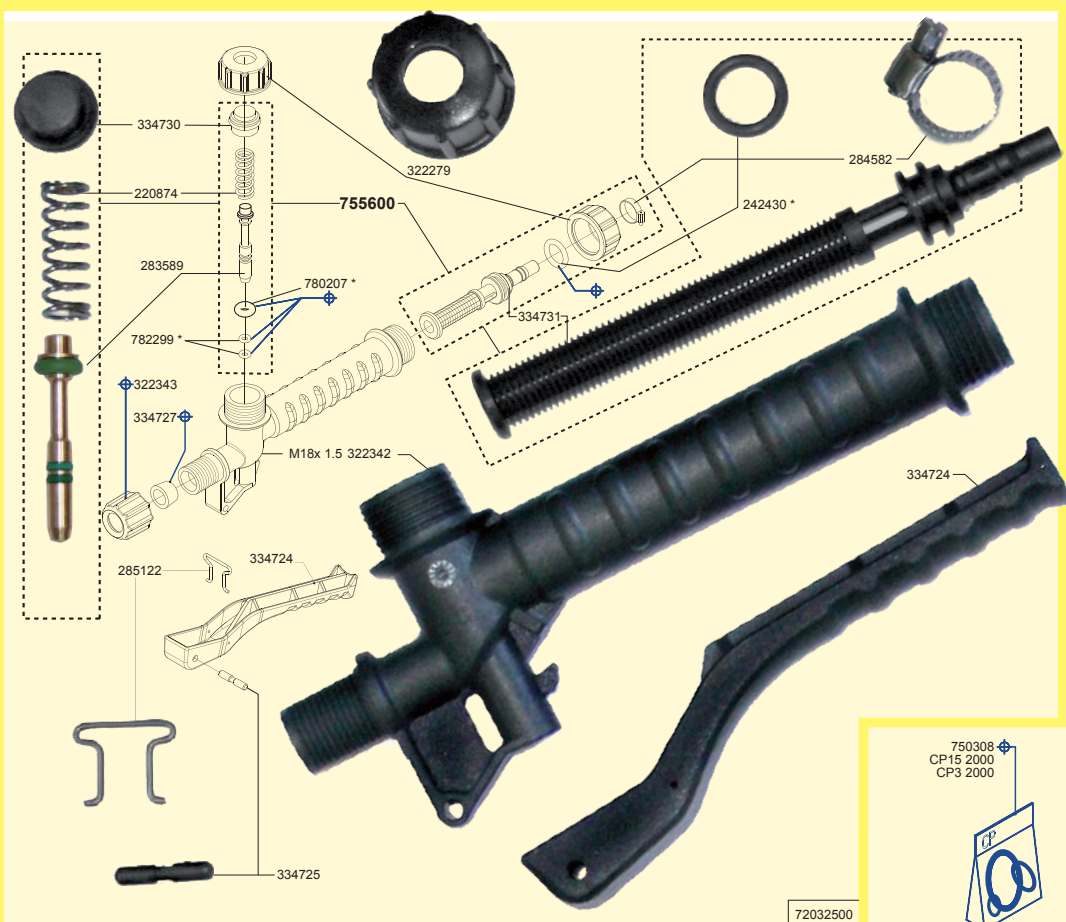
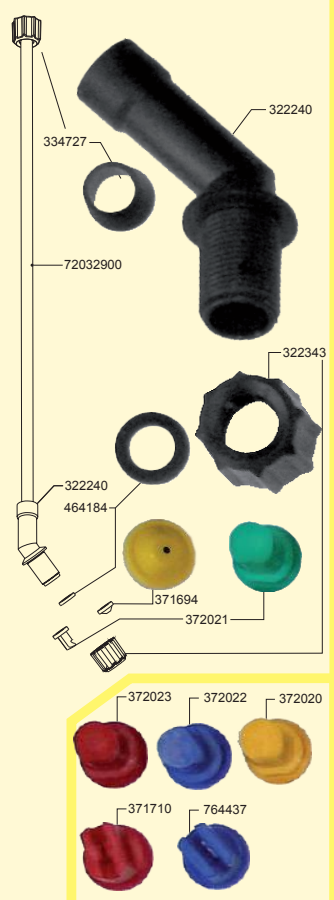


CP15 & CP3 CLASSIC

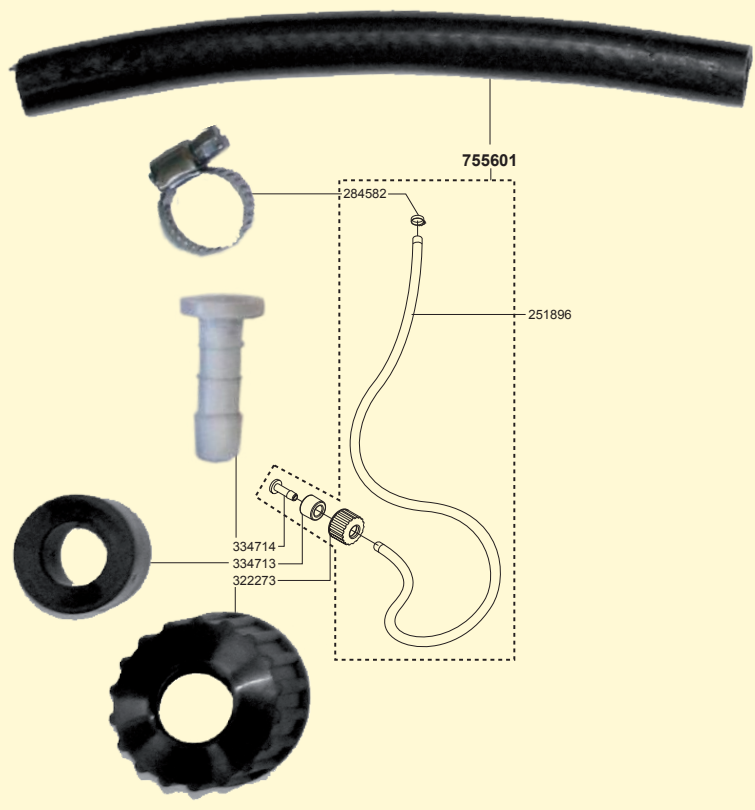


Made in France
European
Quality





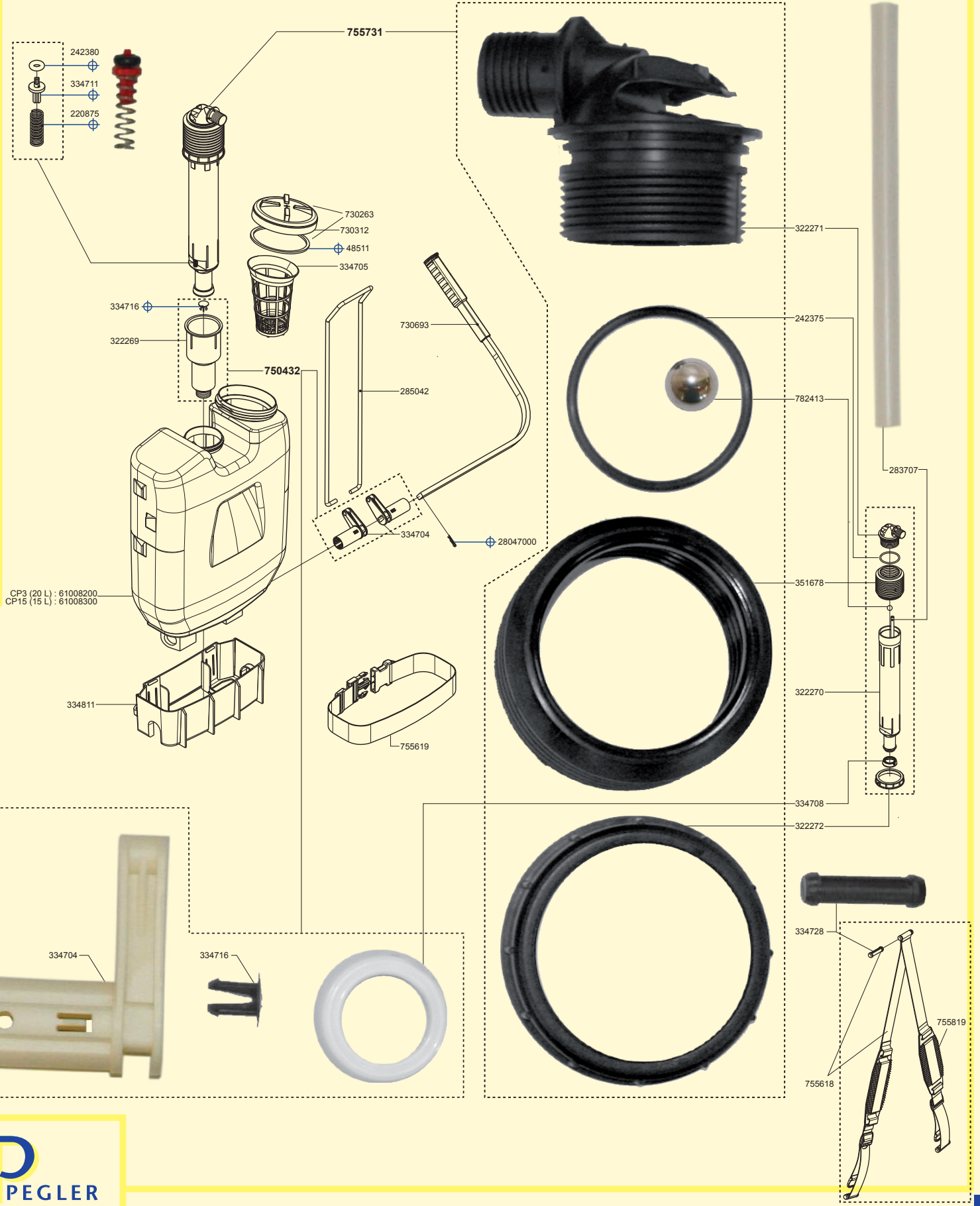
755837



CP15 2000



Made in France
**European
Quality**



CP RANGE :

LOGISTIC INFORMATION

PRODUCT DESCRIPTION	CODE	EAN CODE	BOX DIMENSIONS L X W X H (MM)	GROSS WEIGHT (KG) BOX+ EQUIP-MENT	PALLET DIMENSION L 80 X W 120		NB UNITS / BOX
					HEIGHT (CM)		
CP 2	848161	3414438481619	295x400x320	3,06	160		6
CP 5	846249	3414438462496	200x200x520	2,00	223		1
CP 8	846250	3414438462502	200x200x690	2,80	222		1
CP 15 Evolution reference by full container	848150	3414438481503	345x260x490	4,10	207		1
CP 15 Evolution Confort reference by full container	848152	3414438481527	345x280x490	4,25	207		1
CP 15 Evolution FR reference by unit	848257	3414438482579	345x260x490	4,10	207		1
CP 15 Evolution Confort FR reference by unit	848258	3414438482586	345x280x490	4,25	207		1
CP 3 Evolution Confort reference by full container	848252	3414438482524	350x280x595	4,75	189		1
CP 3 Evolution Confort FR reference by unit	848255	3414438482555	350x280x595	4,90	189		1
CP 15 Classic	846255	3414438462557	400x250x470	5,20	203		1
CP 3 Classic	846320	3414438463202	400x250x570	5,40	211		1
CP 15 2000/S	846341	3414438463417	390x170x630	5,35	210		1
CP 15 2000/E	846342	3414438463424	390x170x630	5,35	210		1
CP 3 2000/S	846361	3414438463615	410x190x640	5,75	207		1
CP 3 2000/E	846362	3414438463622	410x190x640	5,75	207		1
CP ULV	848104	3414438481046	1080x210x150	1,35	165		1

		CONTAINER 20 " DRY		CONTAINER 40 " DRY		CONTAINER 40 " DRY HC	
NB UNITS / PALLET (kg)	TOTAL WEIGHT / PALLET (kg)	NB OF UNITS / CONTAINER	TOTAL WEIGHT (kg)	NB OF UNITS / CONTAINER	TOTAL WEIGHT (kg)	NB OF UNITS / CONTAINER	TOTAL WEIGHT (kg)
240	125	4116	2099	8 820	4499	10 080	5141
96	198	1 410	2 820	2 940	5 880	3 370	6 740
72	208	1 020	2 856	2 130	5 964	2 500	7 000
40	169	684	2 804	1 320	5 412	1 570	6 437
40	175	635	2 699	1 230	5 228	1 450	6 163
40	169	684	2 804	1 320	5 412	1 570	6 437
40	175	635	2 699	1 230	5 228	1 450	6 163
30	147,5	500	2 375	1 000	4 750	1 200	5 700
30	152	500	2 450	1 000	4 900	1 200	5 880
36	194	580	3 016	1 190	6 188	1 375	7 150
31	174	515	2 781	1 060	5 724	1 266	6 750
43	237	720	3 852	1 480	7 918	1 700	9 095
43	237	720	3 852	1 480	7 918	1 700	9 095
40	236	600	3 450	1 240	7 130	1 445	8 309
40	236	600	3 450	1 240	7 130	1 445	8 309
40	55	840	1 134	1 720	2 322	1 950	2 632,5

Reminder :

a container 20 " DRY = 30 m³

a container 40 " DRY = 60 m³

a container 40 " DRY High cube = 70 m³



HOZELOCK-EXEL

BP30424 - 69653 Villefranche Cedex FRANCE

Tel: +33 (0)4 74 62 48 23 - Fax: +33 (0)4 74 62 37 51

Email: hozelock-exel@hozelock-exel.com

Business administration **EXPORT** : +33 (0)4 74 62 48 23

Distributed by :

Be careful of illegal copies : these are poor quality counterfeit products. Cooper Pegler sprayers are original products manufactured according to strict standards ensuring reliability and efficiency over time.

CP
COOPER PEGLER


SPRAYING TECHNOLOGY

www.cooper-pegler.com

Social Media supporting UK and Ireland :

 Twitter - @CooperPegler

 Instagram - cooperpegler_uk

 Facebook- @cooperpegler

HOZELOCK-EXEL - 891 route des Frênes - ZI Nord Arnas - BP 30424 - 69653 Villefranche Cedex
Corporation with capital of 2 600 000 €- SIRET 77965877200024 - APE 2830 Z - RC Villefranche B -
Intra-Community VAT number : FR 02 779 658 772